



SPLITTERS

AS300 AIS / VHF ANTENNA SPLITTER

SKU: COM-0025

FEATURES

- **Allows use of a single VHF Antenna installation shared between AIS and VHF Radiotelephone**
- **Automatic Routing of AIS or VHF Transmissions**
- **VHF transmissions have priority over AIS**
- **Works with an AIS Transponder (Class 'B') or AIS Receiver**
- **FM Antenna Connection for receiving Public Radio Broadcasts**
- **Compact Aluminium Housing**
- **12 V dc**

OVERVIEW

The AS300 Antenna Splitter from Comar Systems is designed to allow an AIS Class 'B' Transponder or an AIS Receiver to share the main VHF Antenna used by the VHF Radiotelephone, which removes the need and expense of installing an additional VHF antenna.

Comar Antenna Splitters are built to the highest standards to ensure that the performance of the connected AIS and VHF Radio equipment is not compromised.

APPLICATIONS

- Enables AIS to be used with an existing installed antenna
- Removes the need and expense of installing a second antenna

ACCESSORIES

- AV100 - Stainless Steel Whip Antenna
- AV400 - Heavy Duty Commercial GRP Antenna

RELATED PRODUCTS

T200B - Class B AIS Transponder

T200B-S - Class B AIS Transponder with internal splitter

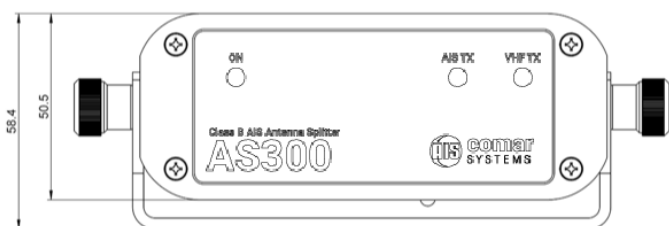
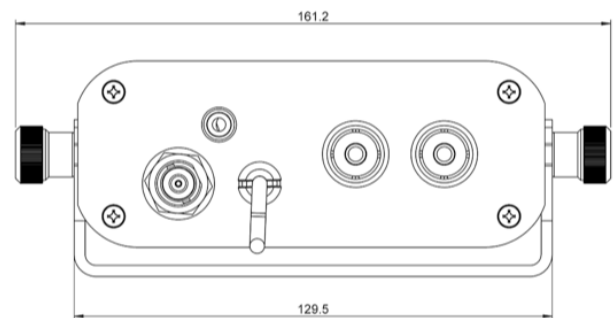
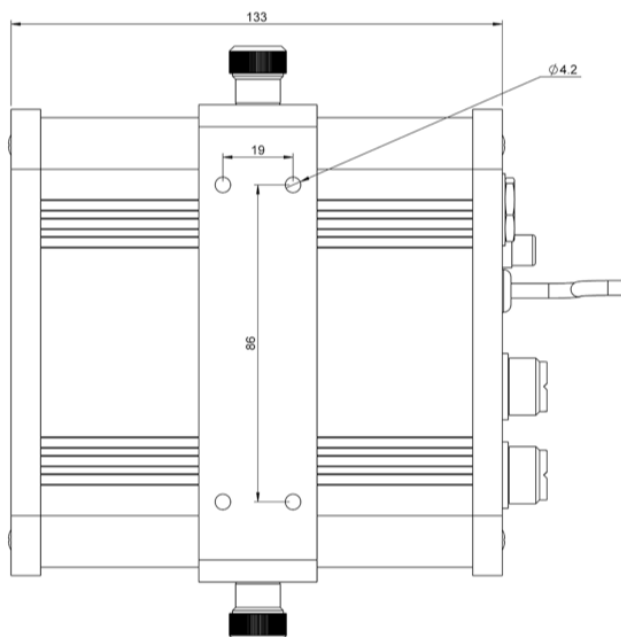
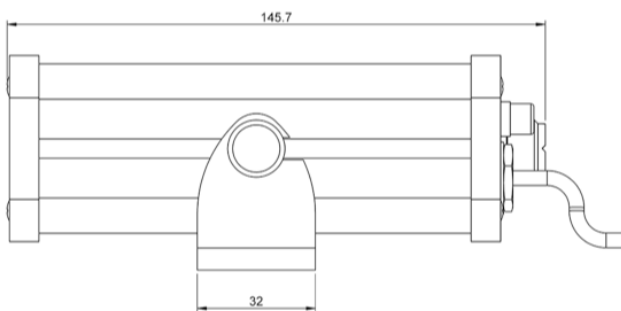
PHYSICAL	
Weight:	600g
Dimensions:	L 140 x W 120 x H 50 mm
Mounting:	To flat surface with case brackets
Connections:	Power: 1 m 2-core captive cable Antenna: S0239 UHF Connector VHF Radiotelephone: S0239 UHF Connector AIS Transponder / Receiver: BNC Connector FM Radio: RCA Phono Socket
Construction:	Grey aluminium housing; black end plates

ELECTRICAL	
Power Supply:	12 / 24 V dc
Operating Current:	AIS / VHF Transmit: 135 mA (typical) AIS / VHF Receive: 65 mA (typical)
Antenna Impedance:	AIS / VHF / Antenna: 50 Ω; FM Radio: 75 Ω

OPERATIONAL	
Frequency Range:	156.025 MHz to 162.025 MHz
Sensitivity:	< -112 dBm
Display:	3 Indicator LEDs (ON; AIS TX; VHF TX)
Switching Time:	From Receive to AIS TX or VHF TX: 20 micro-seconds

ENVIRONMENTAL	
IP rating:	IP40
Operating temp:	-15°C to +55°C
Storage temp:	-20°C to +70°C
Operating Humidity:	Up to 93%
Compass:	Safe Distance 50 cm

ADDITIONAL	
Supplied:	AS300 Splitter with Bracket Mount VHF Patch lead; 1 m; with 2x PL259 male connectors AIS Patch lead; 1 m; with 2x BNC male connectors FM Radio: RCA Phono Plug (no cable)
Required:	4x M4 mounting screws



Copyright © 2023 Comar Systems Ltd. - AS300 Datasheet v06r03