

## SR4

## CLASS A COMPASS

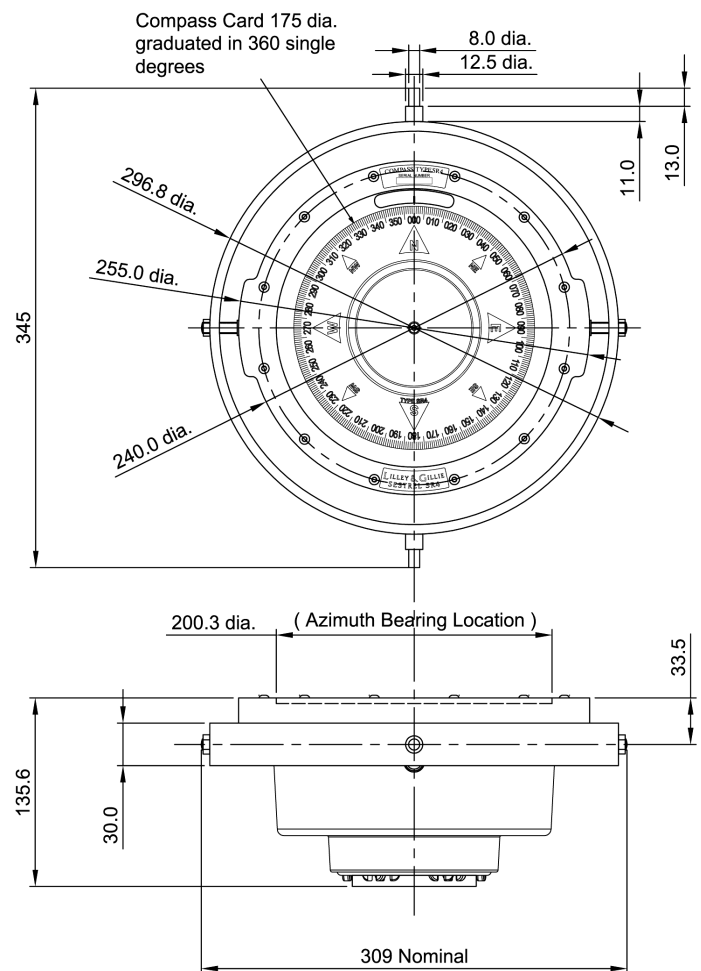
The magnetic compass bowl has been made of brass for over 100 years and continues to be made that way. A big leap forward in design marks the John Lilley & Gillie SR4 compass as the best

A Class compass available in the market. With a body created out of a polycarbonate compound it does not have the problems that brass compasses have with joints potentially leaking.

With compasses filled with liquid any leak can cause an air bubble to appear on top of the compass, potentially making it harder to read. The SR4 compass completely resolves this problem.



SR4



**Type approved to the European Marine Equipment Directive (MED), Chinese Classification Society and other Maritime Authorities**

As an added benefit, almost the whole unit is transparent allowing more light in to improve readability.

As a fully approved Class A compass for marine use the SR4 is deployed in commercial vessels all over the world. In addition to its use on commercial vessels it is also deployed by many different naval and coastguard vessels.

# SR4 Magnetic Compass Systems Sestrel Mk2020S and Mk2002S

## Binnacle Mounted

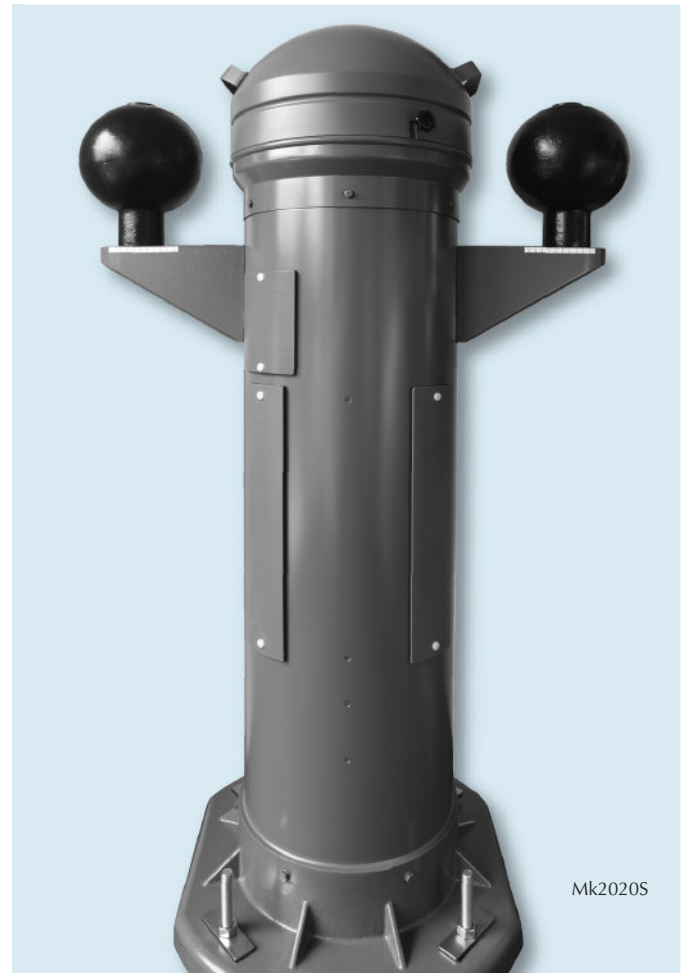
The most common way to fit the SR4 compass. Our binnacles are designed to allow full correction of the compass and are approved for all vessels.

Mk2020S (right) for vessels of all sizes

Mk2002S (below) for vessels under 150gt



Mk2002S



Mk2020S

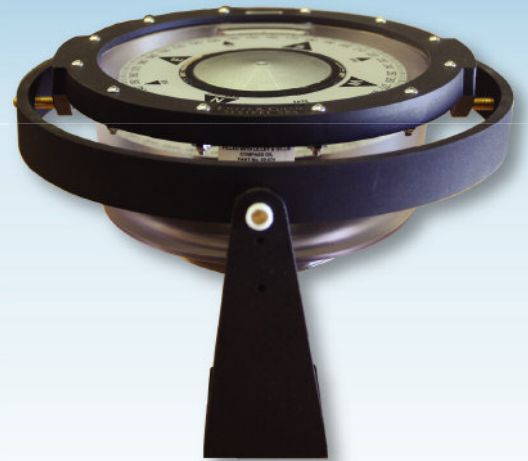
## Overhead Bracket Mount

The SR4 can be overhead mounted using brackets and a mirror to read the compass. The compass in this case comes fitted with LED lighting attached.



## Desk Bracket Mount

A desk bracket mount allows the SR4 to be mounted at table level to directly read the top of the compass. This has the added advantage that bearings can be taken. The compass in this case comes fitted with LED lighting attached.



# Sestrel

In accordance with our policy of continuous development, changes may be made from time to time without prior notice.

